
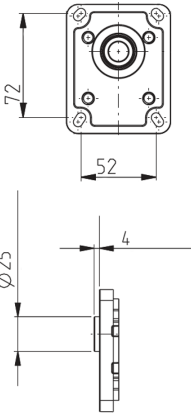
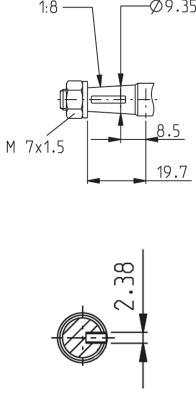
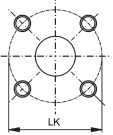

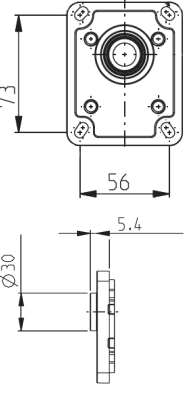
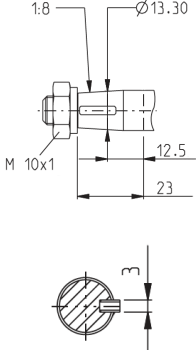
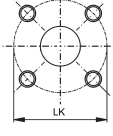


# Zahnradpumpen – Gruppe 1

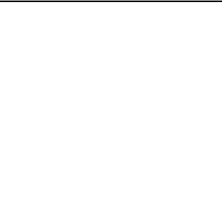
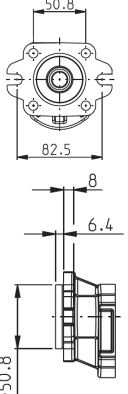
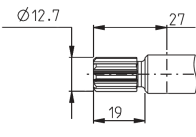
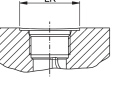
Euro-Norm, d = 25.4 mm, Kon. 1:8

Typ	Bestellnummer	Förder- volumen (cm <sup>3</sup> /U)	Betriebs- druck p1 (bar)	Lochkreis LK (mm)		Flansch	Welle	Lochkreis
				in	out			
	HK81-E1-1	1.07	260.00	30	30			
	HK81-E1-1.5	1.60	260.00	30	30			
	HK81-E1-2	2.13	260.00	30	30			
	HK81-E1-2.5	2.67	260.00	30	30			
	HK81-E1-3.1	3.34	260.00	30	30			
	HK81-E1-4	4.27	250.00	30	30			
	HK81-E1-5	5.34	250.00	30	30			
	HK81-E1-6.3	6.20	230.00	30	30			
	HK81-E1-6.6	6.67	230.00	30	30			
	HK81-E1-8.5	8.51	180.00	30	30			
HK81-E1-10	10.67	140.00	30	30				


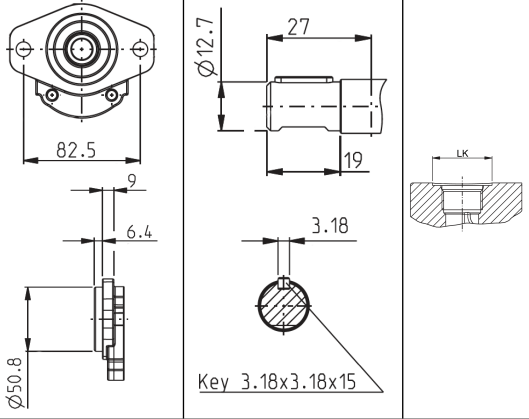
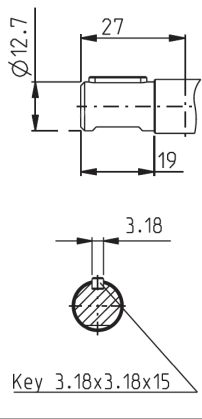
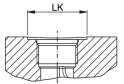
Euro-Norm, d = 30 mm, Kon. 1:8

Typ	Bestellnummer	Förder- volumen (cm <sup>3</sup> /U)	Betriebs- druck p1 (bar)	Lochkreis LK (mm)		Flansch	Welle	Lochkreis
				in	out			
	HK86-E7-1	1.07	260.00	30	30			
	HK86-E7-1.5	1.60	260.00	30	30			
	HK86-E7-2	2.13	260.00	30	30			
	HK86-E7-2.5	2.67	260.00	30	30			
	HK86-E7-3.1	3.34	260.00	30	30			
	HK86-E7-4	4.27	250.00	30	30			
	HK86-E7-5	5.34	250.00	30	30			
	HK86-E7-6.3	6.20	230.00	30	30			
	HK86-E7-6.6	6.67	230.00	30	30			
	HK86-E7-8.5	8.51	180.00	30	30			
HK86-E7-10	10.67	140.00	30	30				

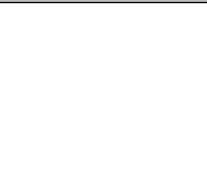
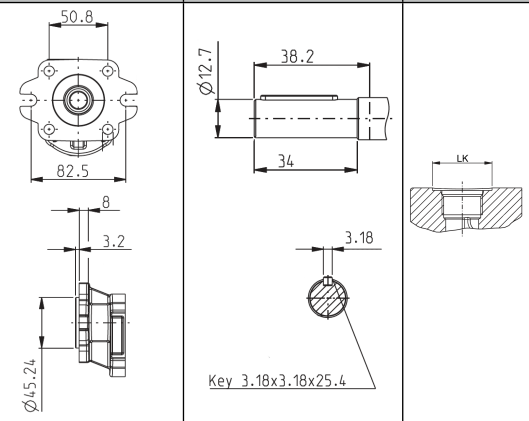
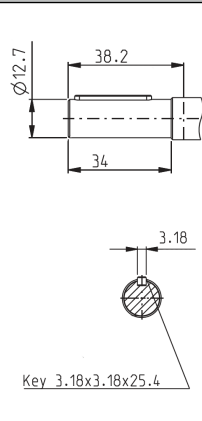
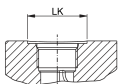
SAE-Norm, d = 50.8 mm, 9 Zähne 20/40 DP

Typ	Bestellnummer	Förder- volumen (cm <sup>3</sup> /U)	Betriebs- druck p1 (bar)	Lochkreis LK (mm)		Flansch	Welle	Lochkreis
				in	out			
	HK02-R9-1	1.07	260.00	30	30			
	HK02-R9-1.5	1.60	260.00	30	30			
	HK02-R9-2	2.13	260.00	30	30			
	HK02-R9-2.5	2.67	260.00	30	30			
	HK02-R9-3.1	3.34	260.00	30	30			
	HK02-R9-4	4.27	250.00	30	30			
	HK02-R9-5	5.34	250.00	30	30			
	HK02-R9-6.3	6.20	230.00	30	30			
	HK02-R9-6.6	6.67	230.00	30	30			
	HK02-R9-8.5	8.51	180.00	35	30			
HK02-R9-10	10.67	140.00	35	30				

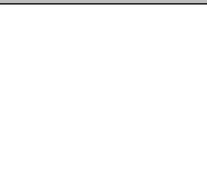
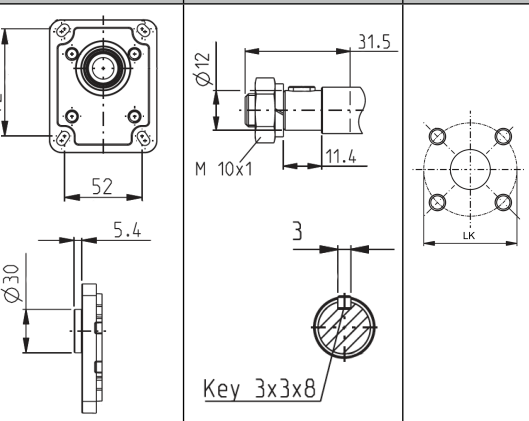
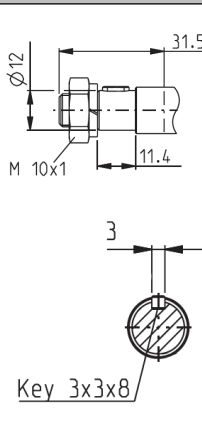
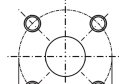
SAE-Norm, d = 50.8 mm, zylindrisch ø 12.7 mm

Typ	Bestellnummer	Förder- volumen (cm <sup>3</sup> /U)	Betriebs- druck p1 (bar)	Lochkreis LK (mm)		Flansch	Welle	Lochkreis
				in	out			
	HK30-S0-1	1.07	260.00	30	30			
	HK30-S0-1.5	1.60	260.00	30	30			
	HK30-S0-2	2.13	260.00	30	30			
	HK30-S0-2.5	2.67	260.00	30	30			
	HK30-S0-3.1	3.34	260.00	30	30			
	HK30-S0-4	4.27	250.00	30	30			
	HK30-S0-5	5.34	250.00	30	30			
	HK30-S0-6.3	6.20	230.00	30	30			
	HK30-S0-6.6	6.67	230.00	30	30			
	HK30-S0-8.5	8.51	180.00	35	30			
	HK30-S0-10	10.67	140.00	35	30			

SAE-Norm, d = 45.24 mm, zylindrisch ø 12.7 mm

Typ	Bestellnummer	Förder- volumen (cm <sup>3</sup> /U)	Betriebs- druck p1 (bar)	Lochkreis LK (mm)		Flansch	Welle	Lochkreis
				in	out			
	HK36-R8-1	1.07	260.00	30	30			
	HK36-R8-1.5	1.60	260.00	30	30			
	HK36-R8-2	2.13	260.00	30	30			
	HK36-R8-2.5	2.67	260.00	30	30			
	HK36-R8-3.1	3.34	260.00	30	30			
	HK36-R8-4	4.27	250.00	30	30			
	HK36-R8-5	5.34	250.00	30	30			
	HK36-R8-6.3	6.20	230.00	30	30			
	HK36-R8-6.6	6.67	230.00	30	30			
	HK36-R8-8.5	8.51	180.00	35	30			
	HK36-R8-10	10.67	140.00	35	30			

Euro-Norm, d = 30 mm, zylindrisch ø 12 mm

Typ	Bestellnummer	Förder- volumen (cm <sup>3</sup> /U)	Betriebs- druck p1 (bar)	Lochkreis LK (mm)		Flansch	Welle	Lochkreis
				in	out			
	HK29-E8-1	1.07	260.00	30	30			
	HK29-E8-1.5	1.60	260.00	30	30			
	HK29-E8-2	2.13	260.00	30	30			
	HK29-E8-2.5	2.67	260.00	30	30			
	HK29-E8-3.1	3.34	260.00	30	30			
	HK29-E8-4	4.27	250.00	30	30			
	HK29-E8-5	5.34	250.00	30	30			
	HK29-E8-6.3	6.20	230.00	30	30			
	HK29-E8-6.6	6.67	230.00	30	30			
	HK29-E8-8.5	8.51	180.00	30	30			
	HK29-E8-10	10.67	140.00	30	30			